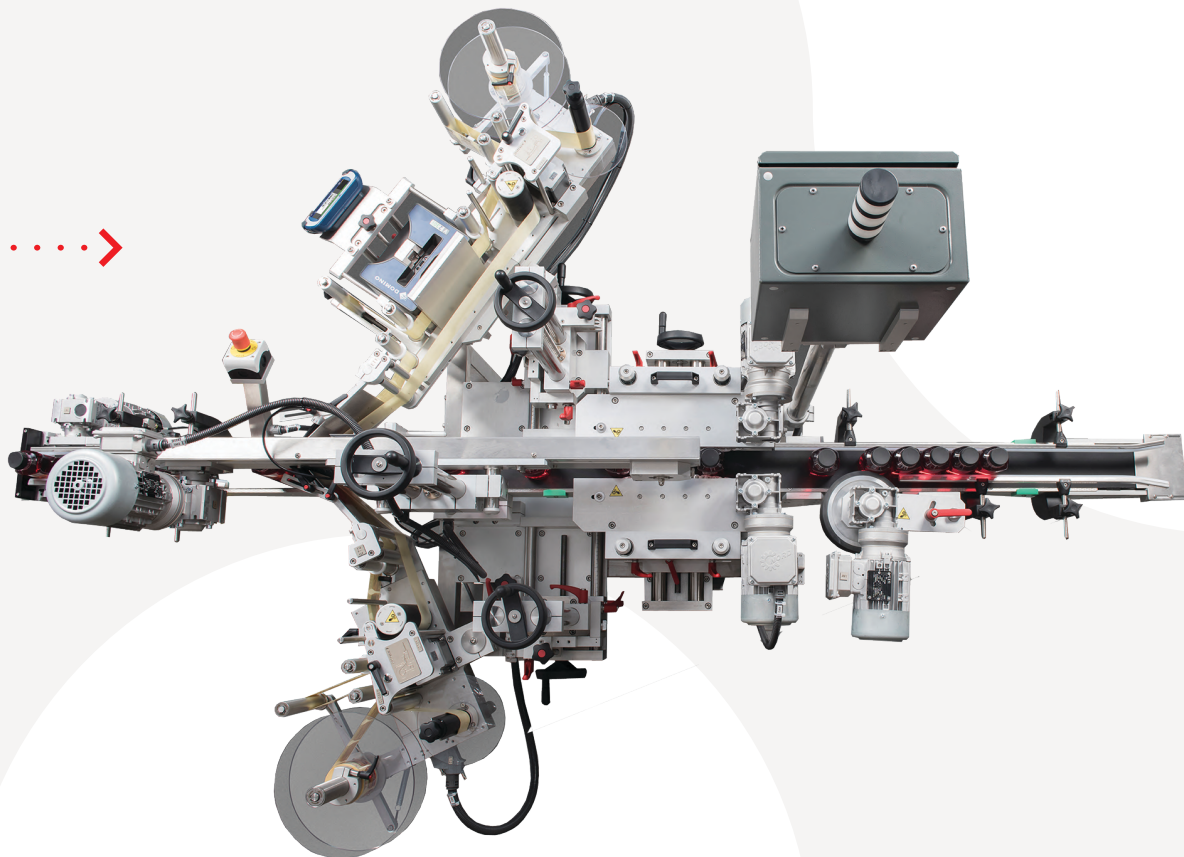


INTREX SET 2202 PLUS LABELLING SYSTEM

BOTH SIDE LABELLING MACHINE FOR FLAT AND OVAL PRODUCTS

- One side or both sides of product labelling
- Capacity up to 400 products per minute
- Label height up to 220 mm
- Precise and easy to adjust positioning of labelling heads
- Central control panel with intuitive graphic menu
- Diversified, protected by password levels of access for users
- Ethernet connection for remote diagnostics
- Possibility of using transparent labels
- Optional TTO or Ink-Jet overprint

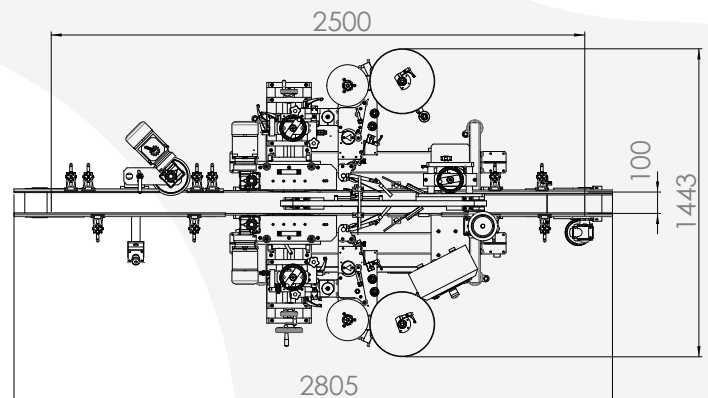
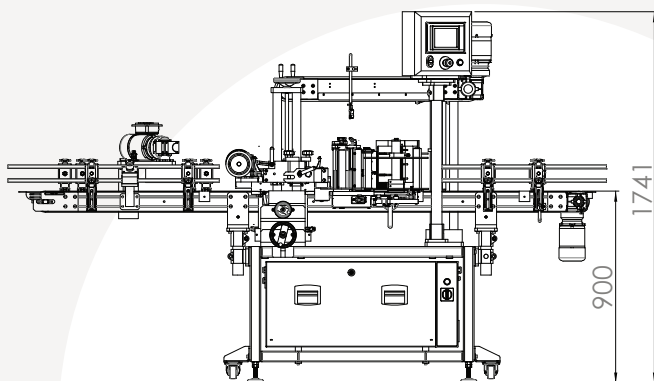


The real maximum labelling speed depends on the label, capacity, type of the labelled product and the kind of application.
The label feeding precision depends on the label and the labelled product properties.

PARAMETERS

INTREX SET 2202 PLUS

	INTREX 100 +	INTREX 200+
LABELLING HEAD		
MAXIMUM LABEL WIDTH (HEIGHT ON THE PRODUCT)	90 mm, 160 mm	90 mm, 160 mm, 220 mm
MAXIMUM LABEL ROLL DIAMETER (UNWINDER)	300 mm (optional: 350 mm), core: 40 mm or 76 mm	
LABEL SENSOR	Optical (optional: ultrasonic for transparent labels)	
MAXIMUM CAPACITY	Up to 250 products per minute	Up to 400 products per minute
CONTROL SYSTEM	B&R PLC, 5" full colour touch screen, up to 100 recipes can be prepared and stored for future use, logins with different access levels, graphical help for control settings, machine log memory, remote internet access for remote diagnostics	
CONVEYOR	Belt conveyor, width: 100 mm, length: 2500 mm	
TOP PRESSING BELT	Narrow belt with coating and precision vertical regulation	
OPTIONAL MODULES	In-feed queue sensor, out-feed jam sensor, low labels sensor, beacon, bracket for thermal transfer printer, inkjet printer mounting bracketry	
POWER SUPPLY	230VAC, 50Hz	



The real maximum labelling speed depends on the label, capacity, type of the labelled product and the kind of application.
The label feeding precision depends on the label and the labelled product properties.