

# Mx350i-B

Labelling that will blow your mind

**Mx350i-B** is a compact and cost-efficient model that offers high-performance contactless labelling for both moving and stationary products. With the same look and feel and benefits as seen across the whole **Mx-Series** range, the **Mx350i-B** is an idea solution for high-speed applications, products with uneven surfaces, or fragile products and packaging that require contactless labelling



## Easy to integrate

- ◆ The **Mx350i-B** print and apply solution has one of the most compact footprints available on the market and left- and right-hand variants, for effortless integration into existing production lines.
- ◆ The advanced connectivity options enable smooth integration with ERP, WMS, and MES systems within your factory.



## Easy to use

- ◆ The **Mx350i-B** is designed for user-friendliness, featuring an integrated UI and an optional remote 10-inch touchscreen, for easy operation.
- ◆ The durable design and intelligent functionality reduce the time required for maintenance and media changes, allowing you to maximise production uptime.

## Easy to adapt

- ◆ **Mx350i-B** is highly configurable, providing numerous options to enhance and streamline your labelling processes.
- ◆ The equipment is designed for longevity to provide long-term service, while its adaptability means it can be adjusted to suit changing labelling requirements without expensive upgrades.

[www.wichmannsystems.com](http://www.wichmannsystems.com)



# A complete solution for all labelling needs



Our services are designed to provide operational insight so you can reduce downtime and maximise production efficiency

## Operational support

Our extended warranty packages provide high-quality, on-site assistance and augmented reality-enabled remote guidance from our engineers. **SafeGuard** helps to ensure we can be with you when you need us most.

## Automatic code inspection

Ensure every code that leaves your factory is present and correct, and free up operator time. With **R-Series**, Domino's range of vision control systems, you can automate your code inspection to validate code presence, placement, and readability.

## Central label management

**Domino Automation** easily integrates into your manufacturing process as well as your ERP/MES systems. It makes automatic changeovers safe and simple, helping you to reduce waste and drive sustainability initiatives while increasing productivity and efficiency.

## Smart production

Gain operational insight by connecting your printer to **Domino Cloud**. Obtain production analytics dashboards and receive system error alerts. **Domino Cloud** provides you with the information you need to run your operations more efficiently.



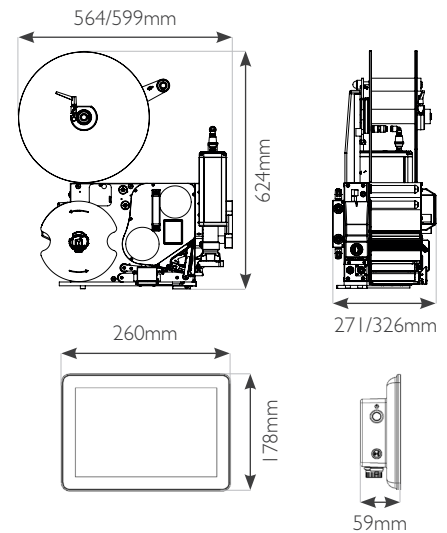
With the multi-language integrated touchscreen, you can easily access the most commonly used settings.

Higher speed in batch labelling applications is offered through a range of extended options.



## Technical specification **Mx350i-B**

Model	Mx350i-B4	Mx350i-B6
Print width	108mm (4-inch)	162mm (6-inch)
Print technology	Thermal transfer / Direct thermal	
Print resolution	12 dots/mm (300dpi)	
Printer variants	Left hand or Right hand	
Max print speed	400mm/s	250mm/s
Distance to product	10-100mm	
Product motion	Moving or Stationary	
Apply method	Blow (contactless)	
Label position		
Recommended label width	50-110mm	50-150mm
Recommended label length	30-100mm	
Label & ribbon roll length	Up to 600m	
Input voltage	90-250VAC 50/60Hz	
Communication	4x Ethernet, TCP/IP, 2x USB-A, 1x USB-B	
I/Os (configurable)	12 inputs and 12 outputs	



## Contact Wichmann Systems Ltd.

- +254 742 923 71
- Contact@wichmannsystems.com
- www.wichmannsystems.com